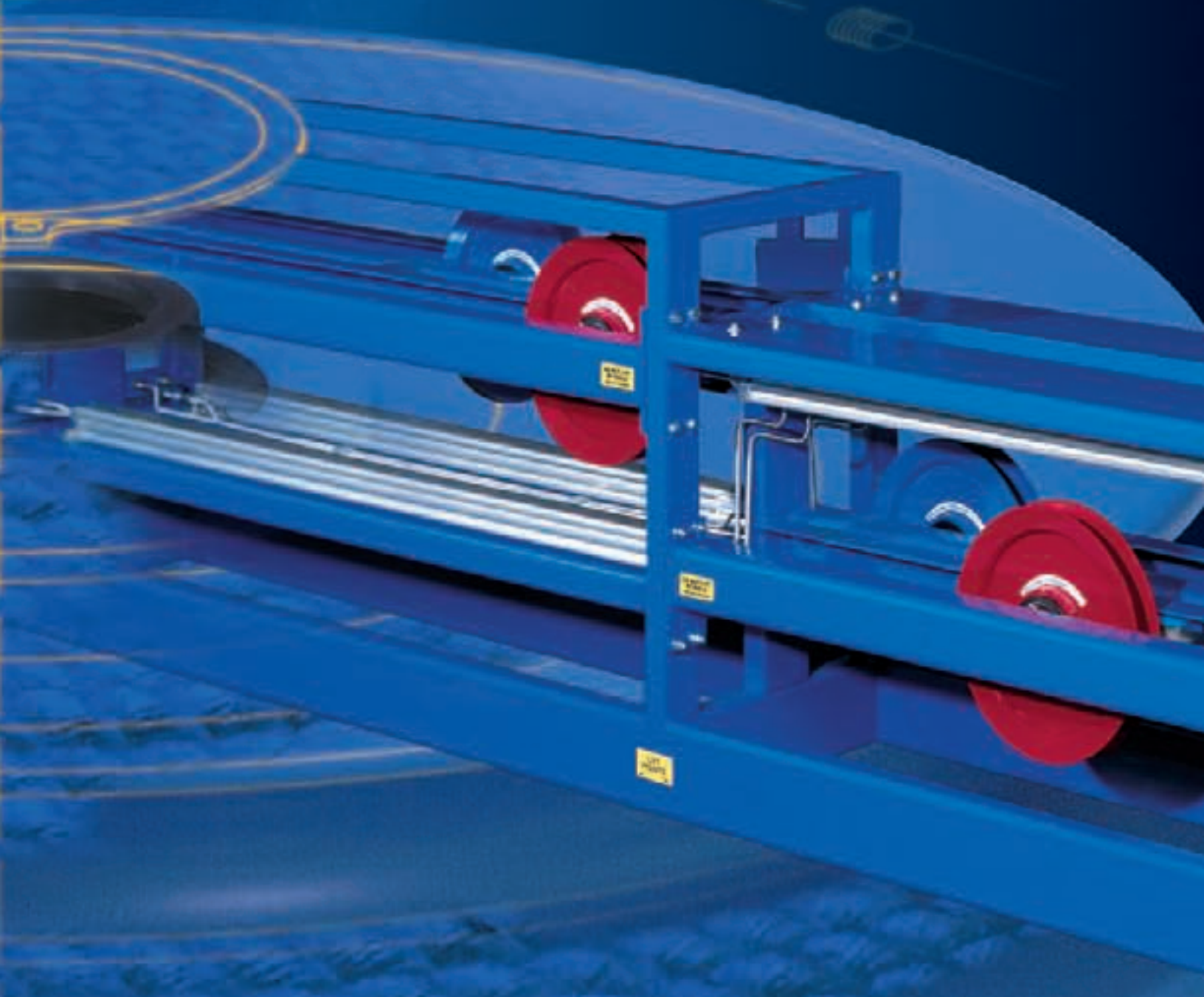


William Kenyon®

Your Single Source For Paper Machine Threading®



William Kenyon®

Your Single Source For Paper Machine Threading®

ROPE SHEAVES



ROPE TENSIONERS



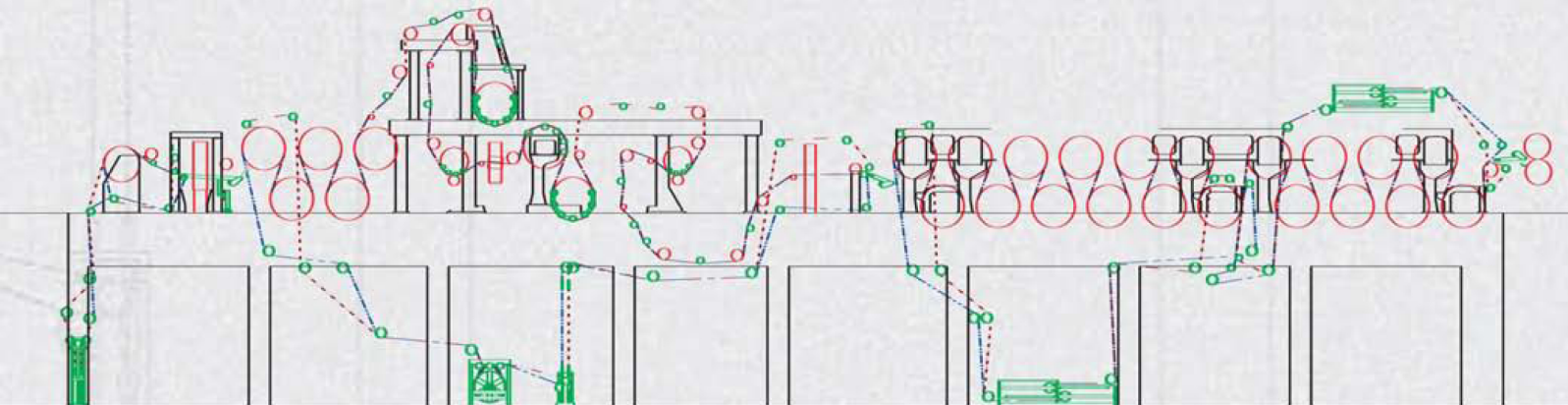
KNIVES & SLITTERS



CARRIER ROPE



CONTROL PANEL

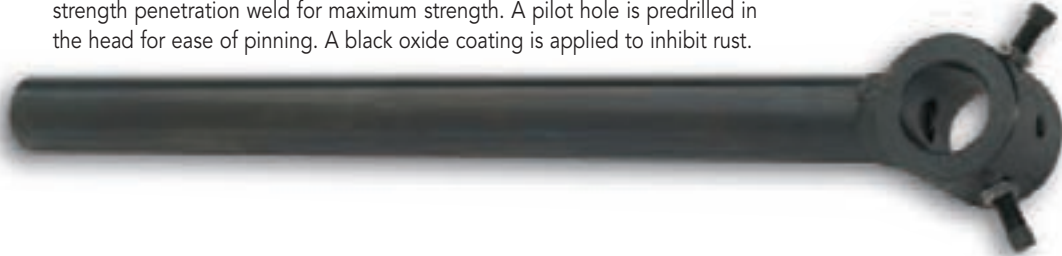


MOUNTING HARDWARE

William Kenyon® supplies a full array of mounting hardware to position and angle sheaves into virtually any orientation. Combinations of Mounting Blocks, Shafts and T-Arms allow for infinite, three-axis sheave adjustment to ensure proper alignment and prolonged rope life. Stock sizes range from diameters of 1 inch (35mm) to 2 inch (50mm) and in a variety of lengths. Stainless Steel components are available upon request for wet press, size press and coater applications.

T-ARM:

All T-Arms are centerless ground steel, for a smooth fit, and have a full strength penetration weld for maximum strength. A pilot hole is predrilled in the head for ease of pinning. A black oxide coating is applied to inhibit rust.



UNIVERSAL MOUNTING BLOCK:

Universal Mounting Blocks are fabricated of steel and finished with a black oxide coating to inhibit rust. Mounting holes are cross-drilled to allow either parallel or perpendicular insertion of the shaft or T-Arm. A pilot hole is predrilled for ease of pinning.



STRAIGHT SHAFT:

Centerless ground steel for a smooth fit and finished with a black oxide coating to inhibit rust.



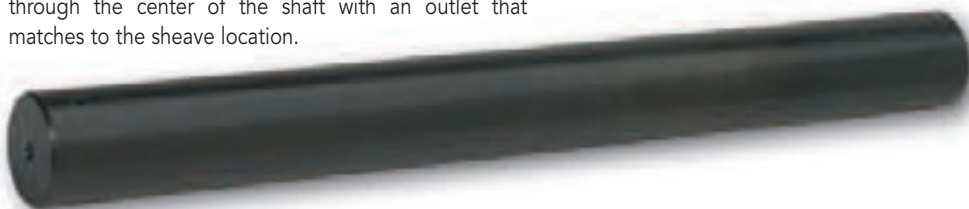
CONCRETE & WELD PLATES:

Steel plates designed to be anchored into concrete or welded on to steel frame members to create a flange for quick mounting of the Universal Mounting Block.



GREASE THROUGH SHAFT:

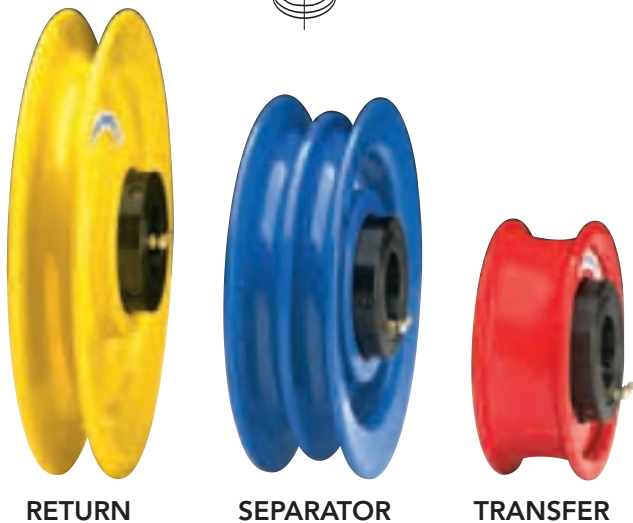
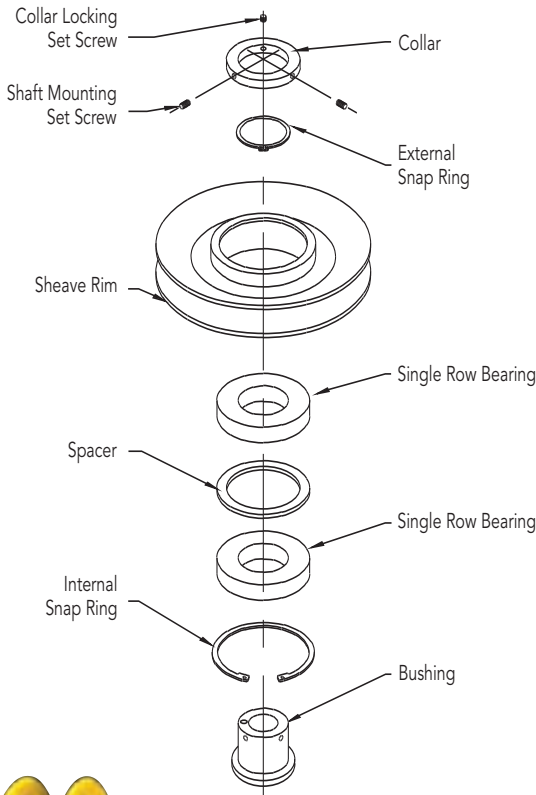
Identical to a straight shaft, but with a grease hole drilled through the center of the shaft with an outlet that matches to the sheave location.



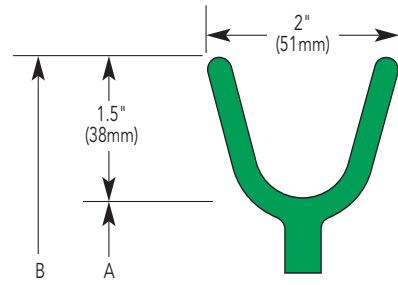
SERIES 50 SHEAVES

- Cast iron sheave design utilizing two single row bearings, and a stationary grease fitting for a grease from the inside configuration for maximum machine speeds.
- Dynamically balanced at a minimum of 6500 fpm (1980 mpm).
- Available bore sizes from 1 inch (35mm) to 2 inches (50mm).
- Standard colors include Safety Blue, Red, Yellow and Green.
- Fully coated and stainless steel sheave configurations for wet press, size press and coater applications available upon request.
- Grease through shaft or contact sealed bearings available upon request.

EXPLODED VIEW

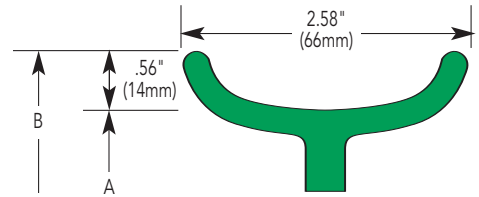


Return Sheave Profile



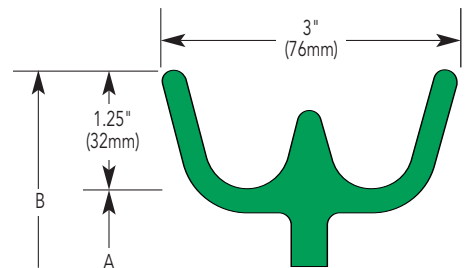
PART#	A	A	B	B
0350511	5"	125mm	8"	200mm
0350611	6"	150mm	9"	230mm
0350811	8"	200mm	11"	280mm
0351011	10"	250mm	13"	330mm
0351211	12"	300mm	15"	380mm

Transfer Sheave Profile



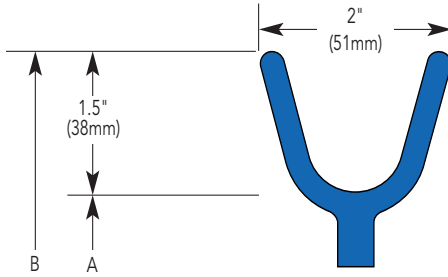
PART#	A	A	B	B
0350512	5"	125mm	6.13"	155mm
0350612	6"	150mm	7.13"	180mm
0350812	8"	200mm	9.13"	230mm

Separator Sheave Profile



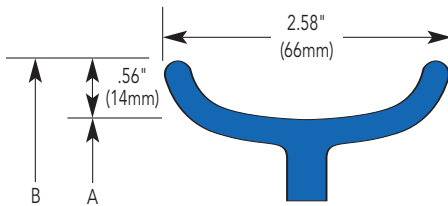
PART#	A	A	B	B
0350613	6"	150mm	8.5"	215mm
0350813	8"	200mm	10.5"	270mm
0351013	10"	250mm	12.5"	320mm

Return Sheave Profile



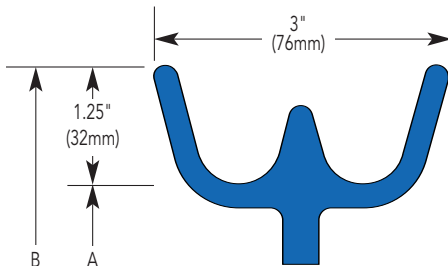
PART#	A	A	B	B
0330411	4"	100mm	7"	180mm
0330611	6"	150mm	9"	230mm
0330811	8"	200mm	11"	280mm
0331011	10"	250mm	13"	330mm

Transfer Sheave Profile



PART#	A	A	B	B
0330412	4.38"	110mm	5.5"	140mm
0330612	6"	150mm	7.13"	180mm
0330812	8"	200mm	9.13"	230mm

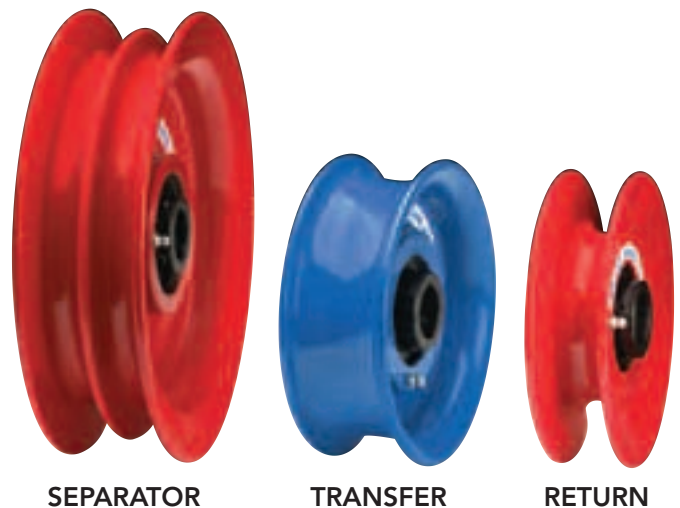
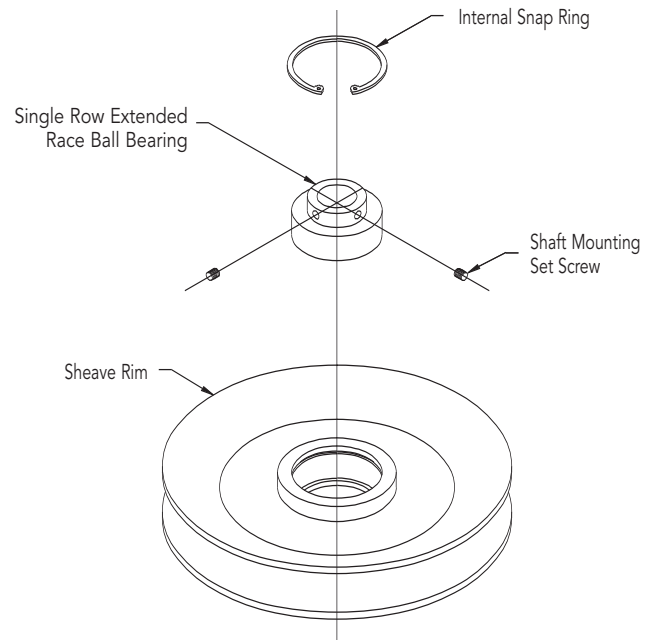
Separator Sheave Profile



PART#	A	A	B	B
0330813	8"	200mm	10.5"	270mm

- Economical cast iron sheave design with a cartridge bearing for applications that don't require a stationary grease fitting or protected bearing.
- Dynamically balanced at a minimum of 6500 fpm (1980 mpm).
- Available bore sizes of 1¹/₄, 1⁵/₁₆, 1³/₈, 1⁷/₁₆ inches & 35mm. Sleeves available to adapt to smaller shaft diameters.
- Standard colors include Safety Blue, Red, Yellow & Green.
- Fully coated and stainless steel sheave configurations for wet press, size press and coater applications available upon request

EXPLODED VIEW



SEPARATOR

TRANSFER

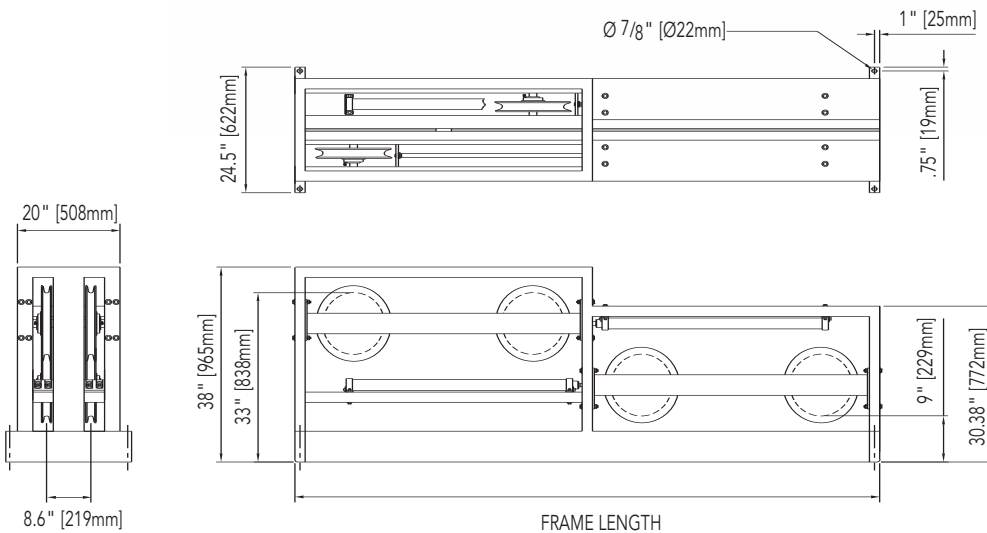
RETURN

AIR PRO II HORIZONTAL PNEUMATIC TENSIONER



NOMINAL FRAME LENGTH		ROPE TAKE-UP		FRAME LENGTH	
Feet	Meters	Feet	Meters	Inches	Millimeters
21.5'	6.6m	36'	11.0m	258"	6553mm
19.5'	5.9m	32'	9.8m	234"	5944mm
17.5'	5.3m	28'	8.5m	210"	5334mm
15.5'	4.7m	24'	7.3m	186"	4724mm
13.5'	4.1m	20'	6.1m	162"	4115mm
11.5'	3.5m	16'	4.9m	138"	3505mm
9.5'	2.9m	12'	3.7m	114"	2896mm
7.5'	2.3m	8'	2.4m	90"	2286mm

Standard sizes listed. Custom sizes and designs available upon request.



- Ideal for floor or overhead mounting and ease of installation and access.
- Fully supported, center mounted carriage directly connected to air cylinders.
- Removable outer rails for ease of access.
- Available in one, two and three rope configurations.
- Special geometries available for space limited areas.
- Optional guard packages and bellows assemblies available upon request.



OPTIONAL BELLOWS ASSEMBLY



CONTROL BOX



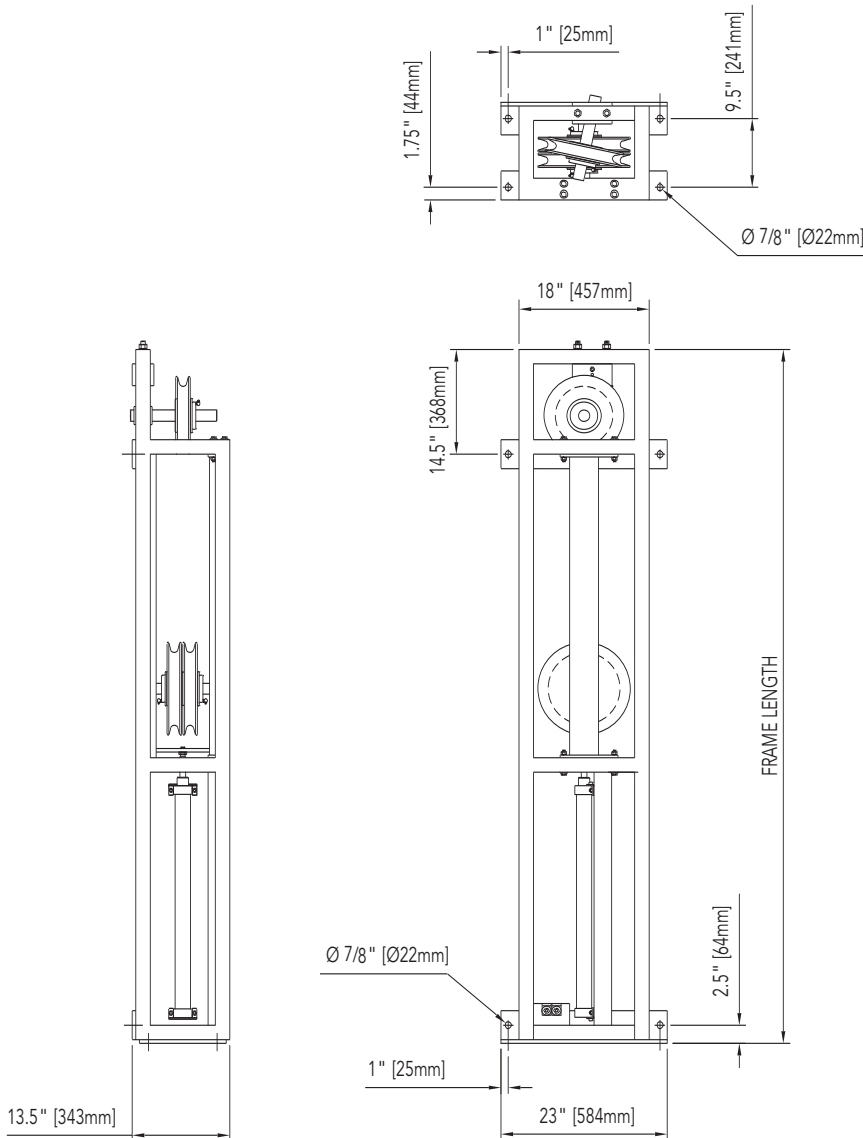
OPTIONAL GUARD PACKAGE

AIR PRO II VERTICAL PNEUMATIC TENSIONER

- Ideal for column mounting.
- Fully contained, center mounted carriage directly connected to air cylinders.
- Removable outer rails for ease of access.
- Available in one and two rope configurations.
- Optional guard packages and bellows assemblies available upon request.

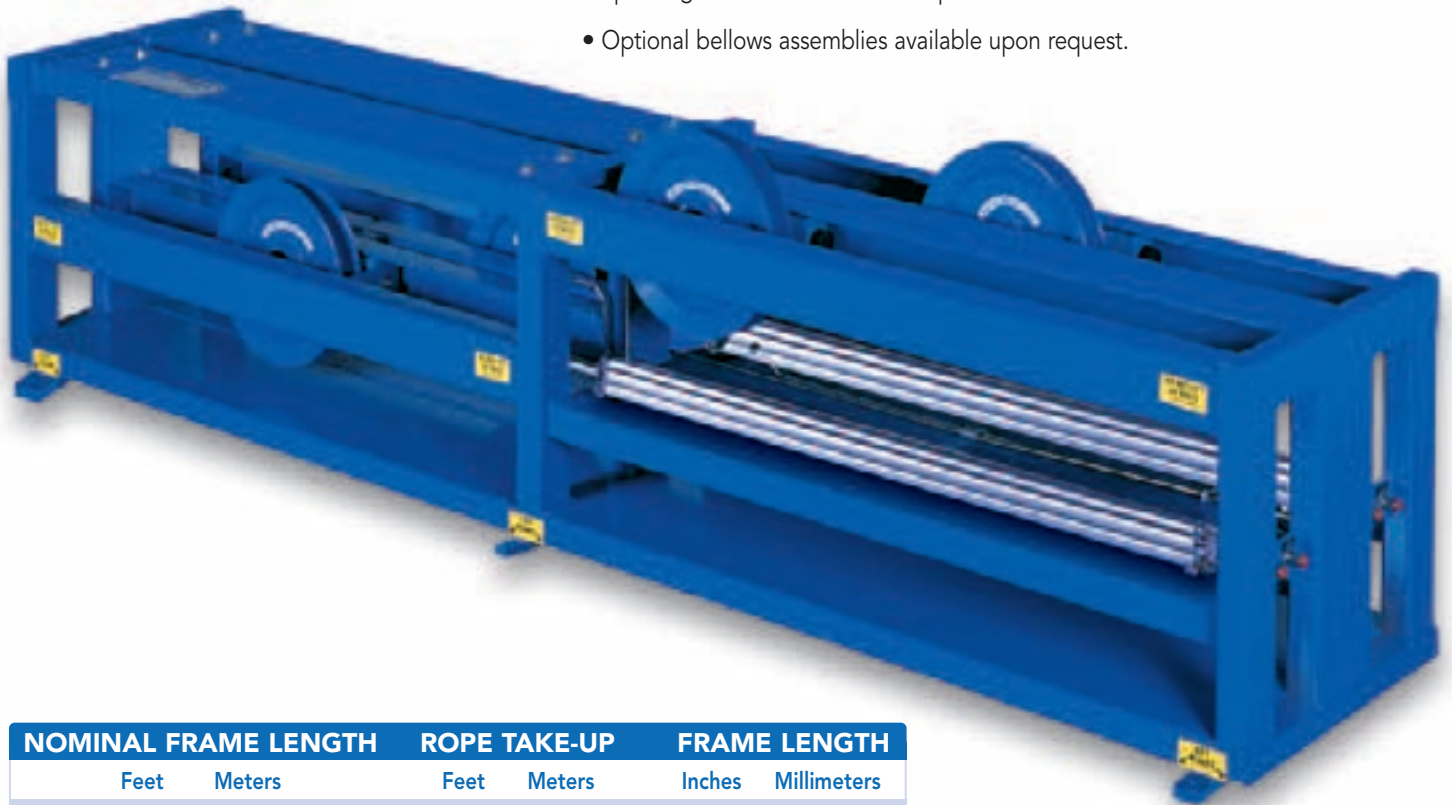
NOMINAL FRAME LENGTH		ROPE TAKE-UP		FRAME LENGTH	
Feet	Meters	Feet	Meters	Inches	Millimeters
18.0'	5.5m	28'	8.5m	216"	5486mm
16.0'	4.9m	24'	7.3m	192"	4877mm
14.0'	4.3m	20'	6.1m	168"	4276mm
12.0'	3.7m	16'	4.9m	144"	3658mm
10.0'	3.1m	12'	3.7m	120"	3048mm
8.0'	2.4m	8'	2.4m	96"	2438mm

Standard sizes listed. Custom sizes and designs available upon request.



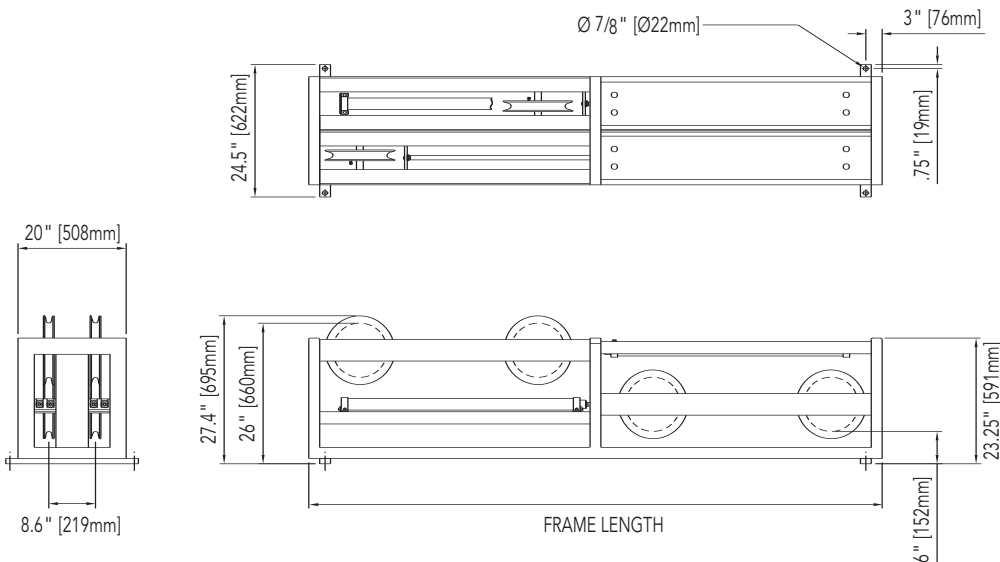
AIR PRO II - 33 HORIZONTAL PNEUMATIC TENSIONER

- Economical alternative for low to medium machine speeds.
- Fully supported, center mounted carriage directly connected to air cylinders.
- Available in one and two rope configurations.
- Special geometries available for space limited areas.
- Optional bellows assemblies available upon request.



NOMINAL FRAME LENGTH		ROPE TAKE-UP		FRAME LENGTH	
Feet	Meters	Feet	Meters	Inches	Millimeters
15.5'	4.7m	24'	7.3m	178"	4521mm
13.5'	4.1m	20'	6.1m	154"	3912mm
11.5'	3.5m	16'	4.9m	130"	3302mm
9.5'	2.9m	12'	3.7m	106"	2962mm
7.5'	2.3m	8'	2.4m	82"	2083mm

Standard sizes listed. Custom sizes and designs available upon request.

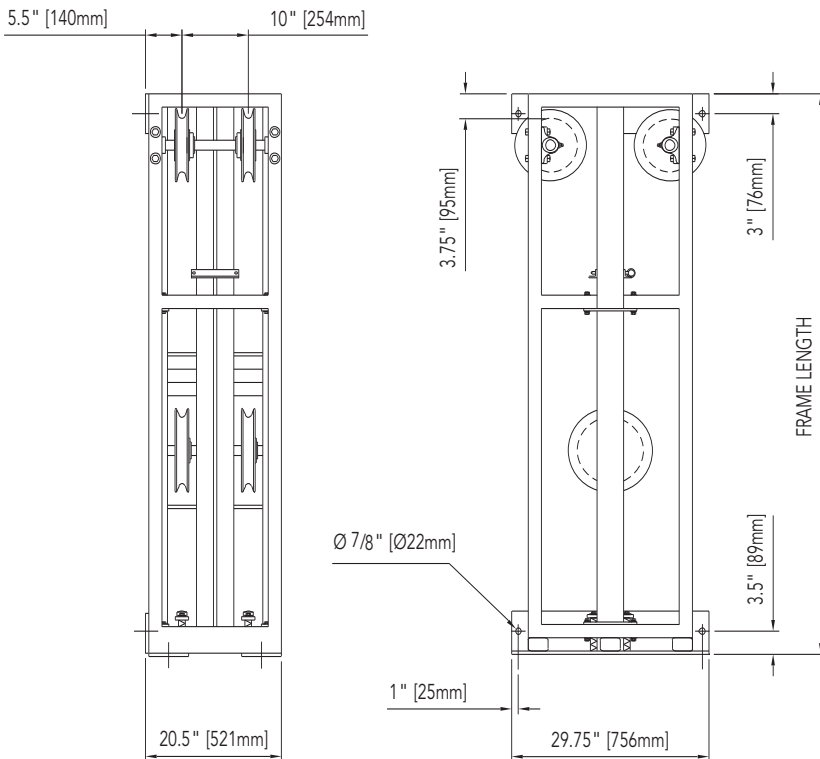
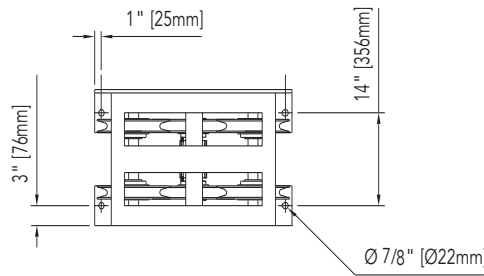


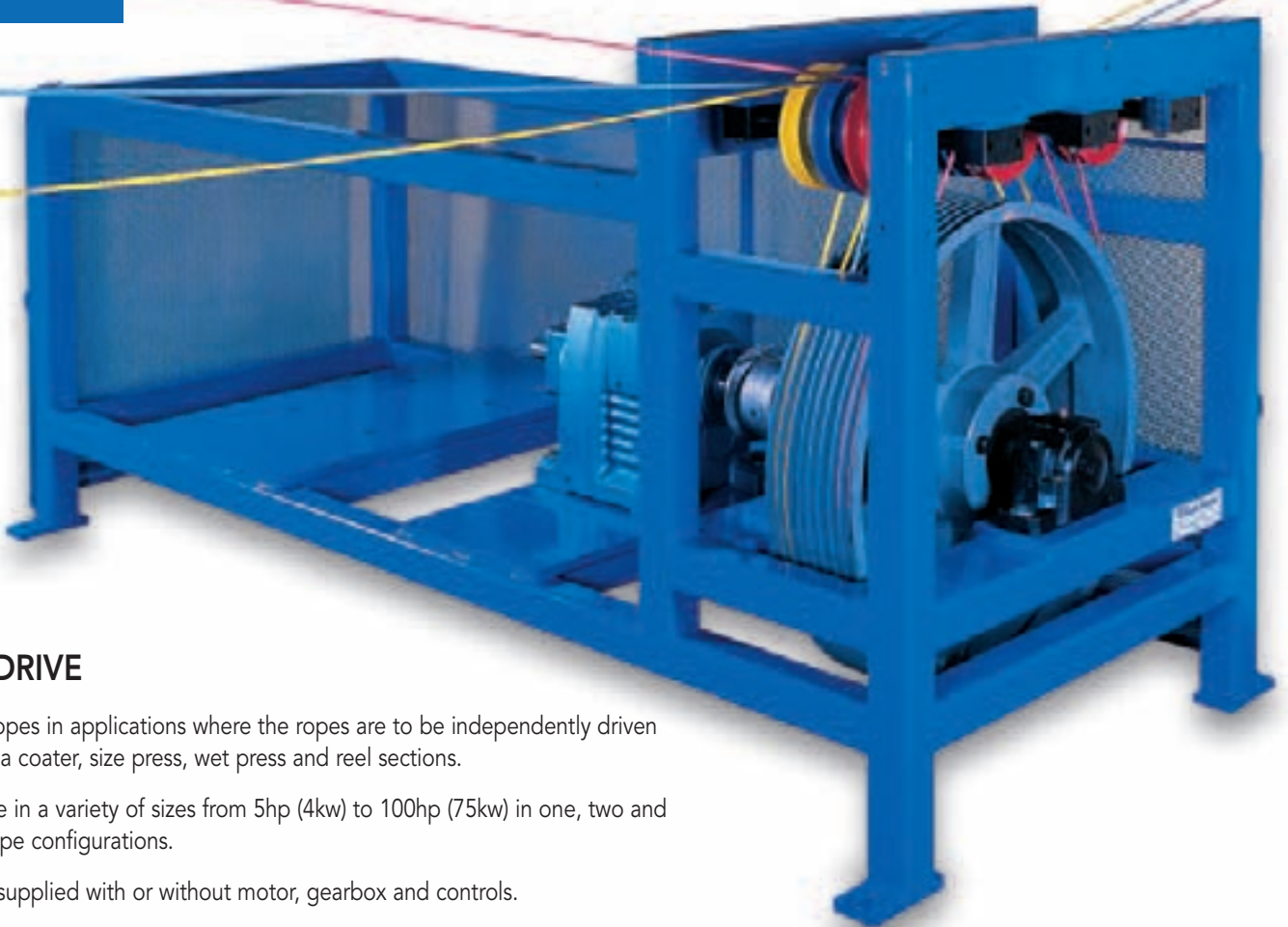
VERTICAL WEIGHTED TENSIONER

- Designed for machines with speeds below 1000 fpm (300 mpm) not requiring dual tension.
- Fully contained, center mounted carriage with weights directly connected to carriage.
- Removable rails for ease of access.
- Available in one and two rope configurations.
- Optional guard packages available upon request.

NOMINAL FRAME LENGTH		ROPE TAKE-UP		FRAME LENGTH	
Feet	Meters	Feet	Meters	Inches	Millimeters
15.0'	4.6m	24.5'	7.4m	180.5"	4585mm
13.0'	4.0m	20.5'	6.2m	156.5"	3975mm
11.0'	3.4m	16.5'	5.0m	132.5"	3366mm
9.0'	2.7m	12.5'	3.8m	108.5"	2756mm
7.0'	2.1m	8.5'	2.6m	84.5"	2146mm

Standard sizes listed. Custom sizes and designs available upon request.



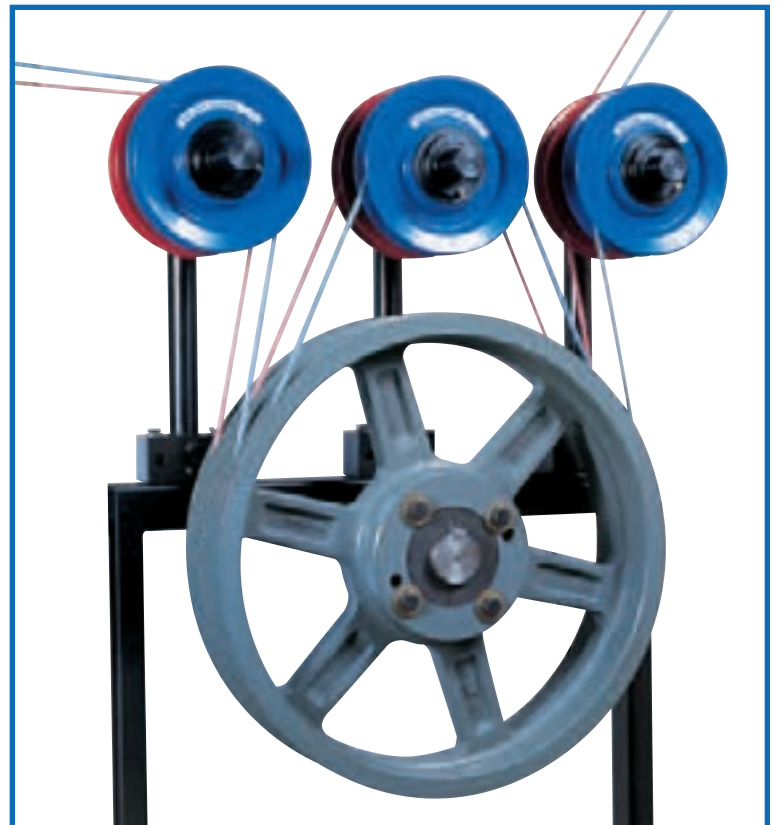


ROPE DRIVE

- Drives ropes in applications where the ropes are to be independently driven such as a coater, size press, wet press and reel sections.
- Available in a variety of sizes from 5hp (4kw) to 100hp (75kw) in one, two and three rope configurations.
- Can be supplied with or without motor, gearbox and controls.
- Large diameter drive wheel has a wedging profile and a double rope wrap configuration to eliminate rope slippage.
- Optional guard packages available upon request.

DRIVE WHEEL RETROFIT PACKAGE

- Package designed to retrofit a variety of existing independent drives with a large diameter drive wheel with a wedging profile and a double rope wrap configuration.
- Drive wheel is available in a variety of diameters and in one, two and three rope configurations.





ROPE KNIVES



COATED & STAINLESS STEEL SHEAVES



CLUSTER BRACKETS



STAINLESS STEEL MOUNTING HARDWARE

The William Kenyon Group has been at the forefront of carrier rope technology since rope systems were introduced to the paper industry. Our commitment to leadership and innovation has led us to expand our product range to meet today's machine speed and safety demands.

William Kenyon® now offers a full range of carrier rope, rope threading systems, vacuum and air threading systems, as well as ancillary products such as tail cutters and tail doctors, to handle your tail threading needs from the wet press through the reel. Once the paper machine is threaded, our slitters will trim the final product for packaging and shipment.

With our full line of products and our technical services and solutions, William Kenyon® truly is **Your Single Source For Paper Machine Threading®**.

SERVICES

- Threading System Surveys and Analysis
- Threading System Consultations
 - Onsite Assistance
 - Technical Specification Sheets
 - Online Technical Solutions
- Carrier Rope Splicing Assistance
 - Onsite Seminars
 - Splicing Instruction Training Sheets
 - Splicing Video Tapes
- Knowledgeable Worldwide Network of Technical Representatives

TECHNICAL SUPPORT

- Threading System Optimization
 - Automatic, Manual and Air/Vacuum Transfer Design
- New Threading System Design
- Existing System Modification and Upgrades
- Design and Engineering Services
- Onsite Technical Assistance
 - System Installations
 - System Start Ups
 - System Modifications

PRODUCTS

- Carrier Rope System Equipment
 - Rope Tensioners
 - Tension Controls
 - Rope Sheaves (Pulleys)
 - Sheave Mounting Hardware
 - Rope Drives
- Carrier Ropes
 - PI Three Strand
 - Braid
 - Specialty Ropes
 - Pulper Rope
- Carrier Rope Accessories
 - Rope Carts
 - Splicing Fids
 - Splicing Needles
 - Knives
- Circular and Flat Slitters and Knives
 - Perforator Blades
 - Core Cutter Blades
 - Top and Bottom Circular Slitters
 - Anvils

William Kenyon®

William Kenyon & Sons, Inc.

90 Ethel Road West
Piscataway, New Jersey, USA, 08854-5929
Tel: 1 732 985 8980 Fax: 1 732 985 1980
Toll Free Tel: 1 800 371 5010 USA/Canada
Toll Free Fax: 1 800 995 3054 USA/Canada

William Kenyon Inc.

585 Cabana
Granby, QC., Canada, J2G 1P8
Tel: 1 450 378 3141 Fax: 1 450 378 0526

William Kenyon

34 Rue de l'Expansion
F-67150, Erstien, France
Tel: 33 3 902 95501 Fax: 33 3 889 84798

William Kenyon & Sons, (RNF) Ltd.

PO Box 33, Chapel Field Works
Dukinfield, Cheshire, England, SK14 4RP
Tel: 44 1 61 308 6030 Fax: 44 1 61 308 6046

Simonex Inc.

1115 Industriel Boulevard
Granby, QC., Canada, J2J 2B8
Tel: 1 450 777 1605 Fax: 1 450 777 1608

www.williamkenyon.com